

Accessories Overview

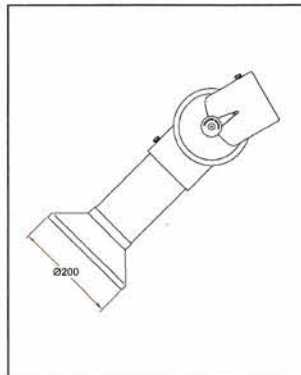
Metal Hood (diam. 200 mm)

Part No.: 1-10024-5

Recommended when extracting hot gases, fumes, light dust concentrations etc. The powder coated surface improves the durability of the hood.

Material

Metal Hood: Aluminium (powder coated)
Connection tube: Aluminium (Anodized – 10 μ)



Metal Hood (diam. 200 mm)

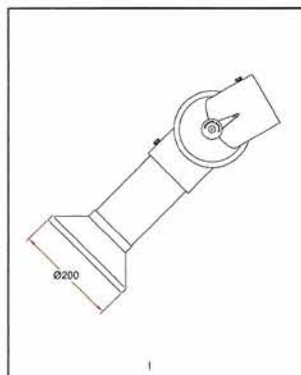
Part No.: 1-10024

Recommended when extracting hot gases, fumes, light dust concentrations etc.

Suitable for autoclaving.

Material

Metal Hood: Aluminium (Anodized – 10 μ)
Connection tube: Aluminium (Anodized – 10 μ)



Dome Hood (diam. 385 mm)

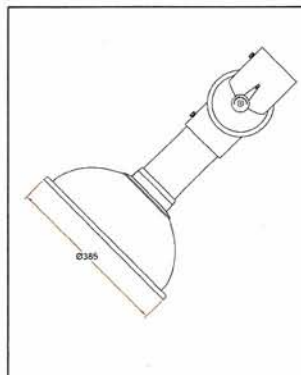
Part No.: 1-10035-5

Recommended for light fumes, gases and small open vessels. Increased stability due to reinforced rim of the hood. Increased efficiency at an angled position.

Material

Hood: PETG
Flange: Polypropylene (PP)
Connection to tube!: Aluminium (Anodized – 10 μ)

1) Separately enclosed at delivery



Accessories Overview



SYSTEM 25

SYSTEM 50

SYSTEM 63

SYSTEM 75

SYSTEM 100 AL

Hood (diam. 500 mm)

Part No.: 1-10050-5

Recommended for light fumes, gases and large open vessels. Increased stability due to reinforced rim of the hood. Increased efficiency at an angled position.

Material

Hood: PETG
Flange: Polypropylene (PP)
Connection to tube¹: Aluminium (Anodized – 10 μ)

1) Separately enclosed at delivery



Metal Hood (diam. 350 mm)

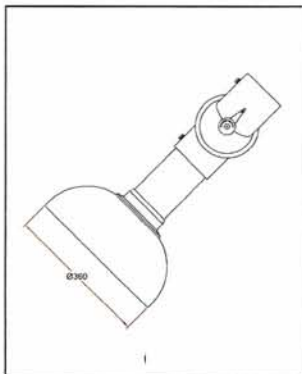
Part No.: 1-10036-5

Recommended for large concentrations of dust, hot fumes and gases. Increased efficiency at an angled position.

Material

Hood: Aluminium (powder coated – alu)
Flange: Polypropylene (PP)
Connection to tube¹: Aluminium (Anodized – 10 μ)

1) Separately enclosed at delivery



Metal Hood (diam. 350 mm)

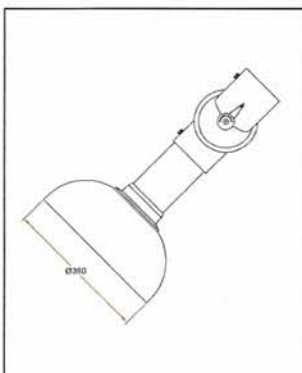
Part No.: 1-10036-5-5

Recommended for large concentrations of dust, hot fumes and gases. The powder coated surface improves the durability of the hood. Increased efficiency at an angled position.

Material

Hood: Aluminium (powder coated – white)
Flange: Polypropylene (PP)
Connection to tube¹: Aluminium (Anodized – 10 μ)

1) Separately enclosed at delivery



Accessories Overview



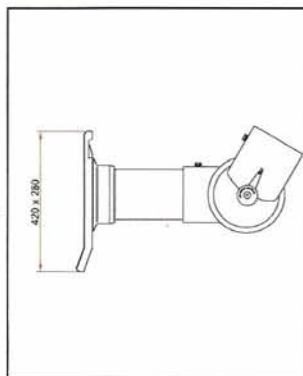
Flat Hood (420 x 280 mm)

Part No.: 1-1004228-5

Recommended when extracting heavy gases and fumes. High efficiency when placed vertically on a surface e.g. a table. Practical rim for easy positioning of the hood. Gets close to the source without obstructing the work process.

Material

Hood: PETG
 Flange: Polypropylene (PP)
 Connection to tube¹: Aluminium (Anodized – 10µ)
 1) Separately enclosed at delivery



Protective Grill (for hoods)

Part No.: 5-18

Protective Grill for mounting in hood.
 Prevents extraction of foreign materials.

Material: Polypropylene (PP)
 Colour: White



Special Stop for gas spring

Part No.: 7-100-1

Can be mounted on models with an external gas spring. Prevents the extraction arm from touching a suspended ceiling when folded up.

The stop for gas spring can be retrofitted and placed individually on the gas spring.

