

# Accessories Overview



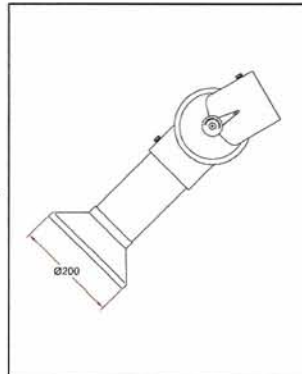
## Metal Hood (diam. 200 mm)

Part No.: 1-10024-6

Metal Hood made of chromated (TCP) aluminium.  
Recommended when extracting hot gases, fumes, light dust concentrations etc.

### Material

Metal Hood: Aluminium (TCP)  
Connection tube: Conductive Polypropylene (PP)



## Dome Hood (diam. 500 mm)

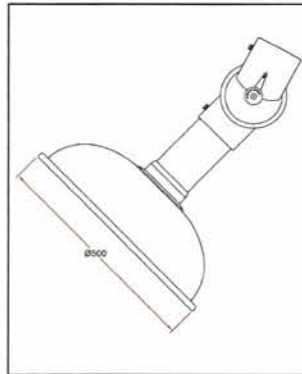
Part No.: 1-10050-6

Recommended for light fumes, gases and large open vessels. Increased stability due to reinforced rim of the hood. Increased efficiency at an angled position.

### Material

Hood: Conductive Polypropylene (PP)  
Flange: Conductive Polypropylene (PP)  
Connection to tube\*: Conductive Polypropylene (PP)

\*) Separately enclosed at delivery



## Metal Hood (diam. 350 mm)

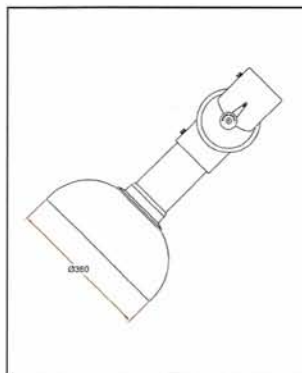
Part No.: 1-10036-6

Metal Hood made of chromated (TCP) aluminium.  
Recommended for large concentrations of dust, hot fumes and gases. Increased efficiency at an angled position.

### Material

Metal Hood: Aluminium (TCP)  
Flange: Conductive Polypropylene (PP)  
Connection to tube\*: Conductive Polypropylene (PP)

\*) Separately enclosed at delivery



# Accessories Overview

SYSTEM 25

## Flat Hood (420 x 280 mm)

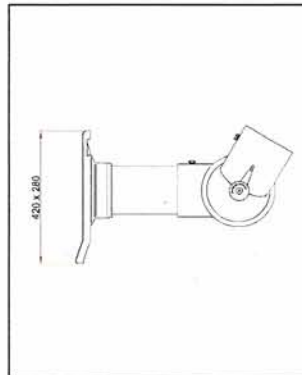
Part No.: 1-1004228-6

Recommended when extracting heavy gases and fumes. High efficiency when placed vertically on a surface e.g. a table. Practical rim for easy positioning of the hood. Gets close to the source without obstructing the work process.

### Material

Hood: Conductive Polypropylene (PP)  
 Flange: Conductive Polypropylene (PP)  
 Connection to tube\*: Conductive Polypropylene (PP)

\*) Separately enclosed at delivery



SYSTEM 50

## Dome Hood (diam. 385 mm)

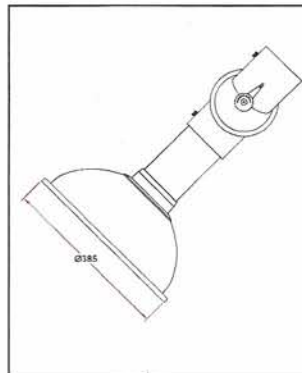
Part No.: 1-10035-6

Recommended for light fumes, gases and small open vessels. Increased stability due to reinforced rim of the hood. Increased efficiency at an angled position.

### Material

Hood: Conductive Polypropylene (PP)  
 Flange: Conductive Polypropylene (PP)  
 Connection to tube\*: Conductive Polypropylene (PP)

\*) Separately enclosed at delivery



SYSTEM 63

## Protective Grill (for hoods)

Part No.: 5-18-6

Protective Grill for mounting in hood.  
 Prevents extraction of foreign materials.

Material: Conductive Polypropylene (PP)  
 Colour: Black



SYSTEM 75

## Special Stop for gas spring

Part No.: 7-100-1

Can be mounted on models with an external gas spring. Prevents the extraction arm from touching a suspended ceiling when folded up. The stop for gas spring can be retrofitted and placed individually on the gas spring.



SYSTEM 100 AS