

Accessories Overview

Metal Hood (diam. 200 mm)

Part No.: 1-10024-7-5

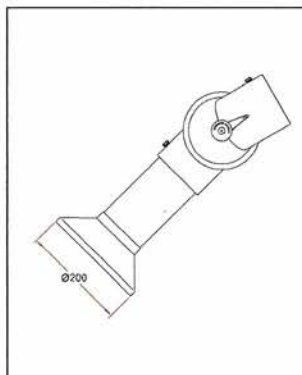
Recommended when extracting hot gases, fumes, light dust concentrations etc.

The powder coated surface improves the durability of the hood.

Material

Metal Hood: Aluminium (powder coated)

Connection tube: Polypropylene (PP)



Dome Hood (diam. 385 mm)

Part No.: 1-10035-7-5

Recommended for light fumes, gases and small open vessels. Increased stability due to reinforced rim of the hood. Increased efficiency at an angled position.

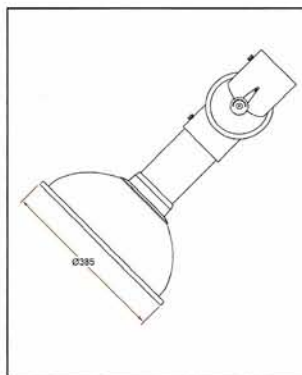
Material

Hood: Polypropylene (PP)

Flange: Polypropylene (PP)

Connection to tube: Polypropylene (PP)

1) Separately enclosed at delivery



Dome Hood (diam. 500 mm)

Part No.: 1-10050-7-5

Recommended for light fumes, gases and large open vessels. Increased stability due to reinforced rim of the hood. Increased efficiency at an angled position.

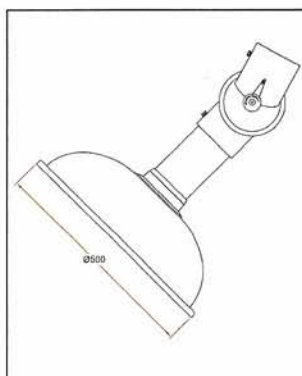
Material

Hood: Polypropylene (PP)

Flange: Polypropylene (PP)

Connection to tube: Polypropylene (PP)

1) Separately enclosed at delivery



Accessories Overview

SYSTEM 25

Flat Hood (420 x 280 mm)

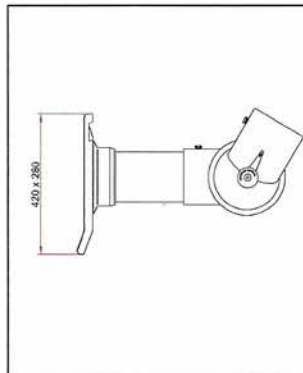
Part No.: 1-1004228-7-5

Recommended when extracting heavy gases and fumes. High efficiency when placed vertically on a surface e.g. a table. Practical rim for easy positioning of the hood. Gets close to the source without obstructing the work process.

Material

Hood: Polypropylene (PP)
 Flange: Polypropylene (PP)
 Connection to tube¹: Polypropylene (PP)

1) Separately enclosed at delivery



SYSTEM 50

SYSTEM 63

Protective Grill (for hoods)

Part No.: 5-18-7

Protective Grill for mounting in hood.
 Prevents extraction of foreign materials.

Material: Polypropylene (PP)
 Colour: White



SYSTEM 75

Special Stop for gas spring

Part No.: 7-100-1

Can be mounted on models with an external gas spring. Prevents the extraction arm from touching a suspended ceiling when folded up.
 The stop for gas spring can be retrofitted and placed individually on the gas spring.



SYSTEM 100 CR