

Accessories Overview



Suction pen – Aluminium

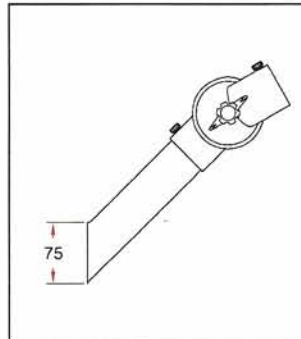
Part Nos.: 1-5021 and 1-5031

Recommended for small concentrated sources of pollution. Efficient as it gets close to the source without obstructing the work process. Carefully made funnel increases the extraction efficiency.

Material

Tube: Anodized aluminium – 10 µ

Length	Part No.
210 mm	1-5021
310 mm	1-5031



Suction pen – Alu + Polypropylene

Part Nos.: 1-5022 and 1-5032

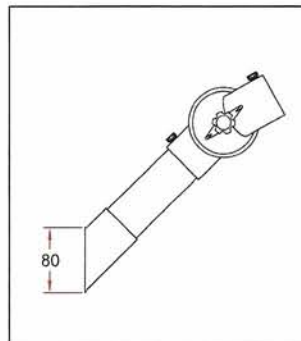
Recommended for small concentrated sources of pollution. Efficient as it gets close to the source without obstructing the work process. Tip with funnel of Polypropylene increases the extraction efficiency.

Material

Tube: Anodized aluminium – 10 µ

Tip: Polypropylene (PP)

Length	Part No.	Red	White
210 mm	1-5022	-4	-5
310 mm	1-5032	-4	-5



Metal Hood (Diam. 200 mm)

Part Nos.: 1-5024-4 /-5

Recommended when extracting hot gases, fumes, light dust concentrations etc. The powder coated surface increases the durability of the hood.

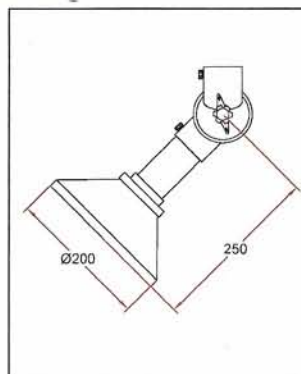
Material

Metal Hood: Aluminium (powder coated)

Flange: Polypropylene (PP)

Connection tube¹⁾: Anodized aluminium – 10 µ¹⁾ Separately enclosed on delivery

Part No.	Red	White
1-5024	-4	-5



Accessories Overview

Suction Nozzle – width 100 mm

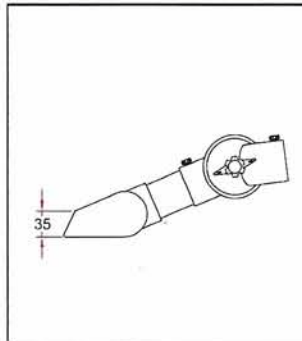
Part Nos.: 1-5010-4 /-5

Recommended for concentrated sources of pollution. Efficient as it gets close to the source without obstructing the work process. Often used at soldering processes. Internal diffuser to increase efficiency.

Material

Hood: Anodized aluminium - 10 μ and Polypropylene (PP)
 Flange: Polypropylene (PP)
 Connection tube: Anodized aluminium - 10 μ

Part No.	Red	White
1-5010	-4	-5



Suction Nozzle – width 200 mm

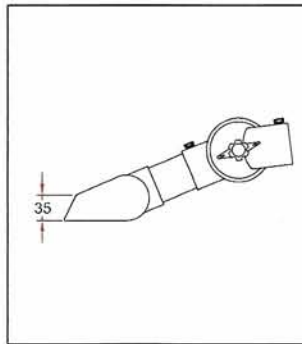
Part Nos.: 1-5020-4 /-5

Recommended for concentrated sources of pollution. Efficient as it gets close to the source without obstructing the work process. Often used at soldering processes. Internal diffuser increases efficiency.

Material

Hood: Anodized aluminium - 10 μ and Polypropylene (PP)
 Flange: Polypropylene (PP)
 Connection tube: Anodized aluminium - 10 μ

Part No.	Red	White
1-5020	-4	-5



Dome Hood (Diam. 280 mm)

Part Nos.: 1-5028-4 /-5 /-050

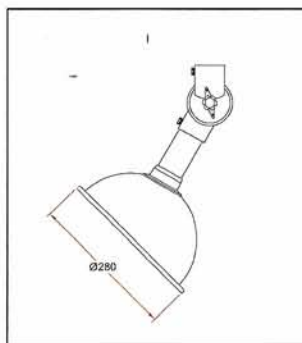
Recommended for light fumes, gases and small open vessels. The transparent hood assists in keeping a good view of the workpiece. Increased stability due to reinforced rim of the hood. Increased efficiency at an angled position.

Material

Hood: PETG
 Flange: Polypropylene (PP)
 Connection tube¹⁾: Anodized aluminium - 10 μ

¹⁾ Separately enclosed on delivery

Part No.	Red	White	Black
1-5028	-4	-5	-050



Dome Hood (Diam. 385 mm)

Part Nos.: 1-5035-4 /-5 /-050

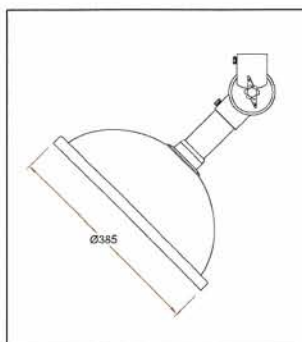
Recommended for light fumes, gases and open vessels. The transparent hood assists in keeping a good view of the workpiece. Increased stability due to reinforced rim of the hood. Increased efficiency at an angled position.

Material

Hood: PETG
 Flange: Polypropylene (PP)
 Connection tube¹⁾: Anodized aluminium - 10 μ

¹⁾ Separately enclosed on delivery

Part No.	Red	White	Black
1-5035	-4	-5	-050



Accessories Overview



Square Hood (265 x 170 mm)

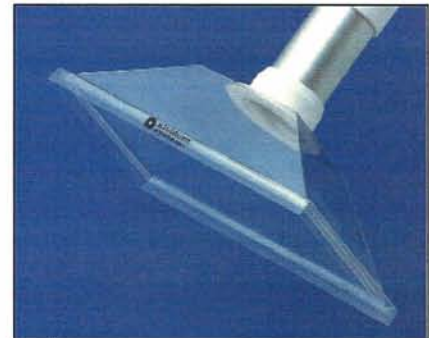
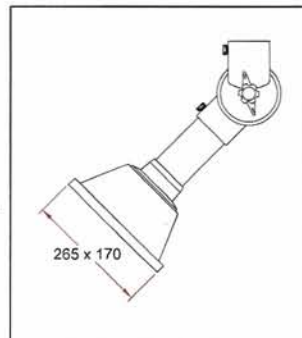
Part Nos.: 1-502015-4 /-5 /-050

Recommended for both light and heavy fumes, gases and for open vessels, as this hood is suited for horizontal position above and vertical position behind the source of pollution. Good efficiency when placed vertically on a surface e.g. a table. Increased stability due to reinforced rim of the hood. The transparent hood assists in keeping a good view of the workpiece.

Material

Hood: PETG
Flange: Polypropylene (PP)
Connection tube¹: Anodized aluminium – 10 µ

1) Separately enclosed on delivery



Part No.	Red	White	Black
1-502015	-4	-5	-050

Square Hood (300 x 250 mm)

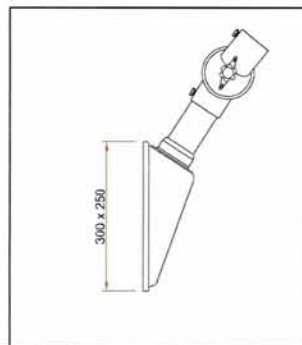
Part Nos.: 1-502422-4 /-5 /-050

Recommended for both light and heavy fumes, gases and for open vessels, as this hood is suited for horizontal position above and vertical position behind the source of pollution. Good efficiency when placed vertically on a surface e.g. a table. Increased stability due to reinforced rim of the hood. The transparent hood assists in keeping a good view of the workpiece.

Material

Hood: PETG
Flange: Polypropylene (PP)
Connection tube¹: Anodized aluminium – 10 µ

1) Separately enclosed on delivery



Part No.	Red	White	Black
1-502422	-4	-5	-050

Flat Hood (330 x 240 mm)

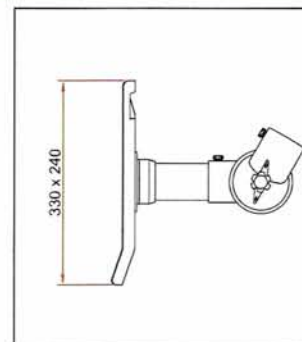
Part Nos.: 1-503324-4 /-5 /-050

Recommended when extracting heavy gases and fumes. High efficiency when placed vertically on a surface e.g. a table. Practical rim for easy positioning of the hood. Gets close to the source without obstructing the work process.

Material

Hood: PETG
Flange: Polypropylene (PP)
Connection tube¹: Anodized aluminium – 10 µ

1) Separately enclosed on delivery



Part No.	Red	White	Black
1-503324	-4	-5	-050

Protective Grill (for hoods)

Part No.: 5-16

Protective Grill for mounting in hood.
Prevents extraction of foreign materials.

Material: Polypropylene (PP)
Colour: White

