



Accessories Overview

SYSTEM 25

SYSTEM 50 AS

SYSTEM 63

SYSTEM 75

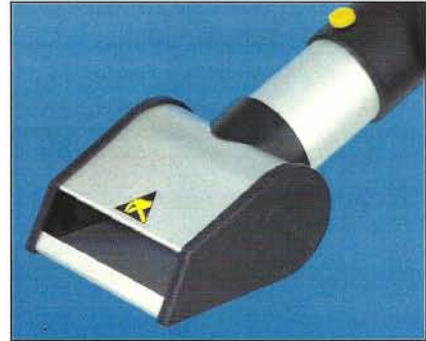
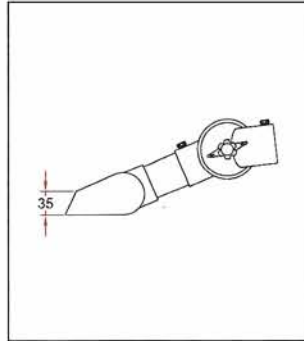
SYSTEM 100

Suction Nozzle – width 100 mm Part No.: 1-5010-6

Recommended for concentrated sources of pollution. Efficient as it gets close to the source without obstructing the work process. Often used in the electronics industry. Internal diffuser to increase efficiency.

Material

- Hood: Chromated Aluminium (TCP)
- Flange: Conductive Polypropylene (PP)
- Connection tube: Chromated Aluminium (TCP)

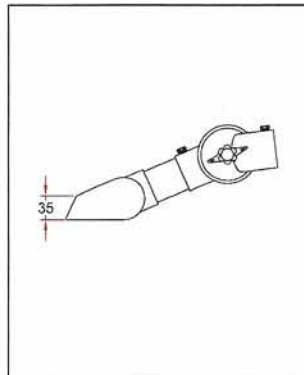


Suction Nozzle – width 200 mm Part No.: 1-5020-6

Recommended for concentrated sources of pollution. Efficient as it gets close to the source without obstructing the work process. Often used in the electronics industry. Internal diffuser to increase efficiency.

Material

- Hood: Chromated Aluminium (TCP)
- Flange: Conductive Polypropylene (PP)
- Connection tube: Chromated Aluminium (TCP)



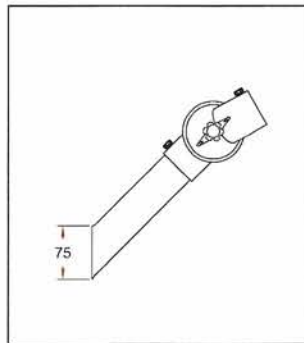
Suction pen – Alu Part Nos.: 1-5021-6 and 1-5031-6

Recommended for small concentrated sources of pollution. Efficient as it gets close to the source without obstructing the work process. Carefully made funnel increases the extraction efficiency.

Material

- Connection tube: Chromated Aluminium (TCP)

Length	Part No.
210 mm	1-5021-6
310 mm	1-5031-6



Accessories Overview



Metal Hood (Diam. 200 mm)

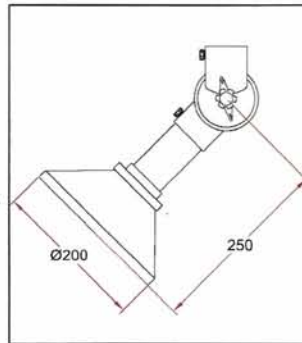
Part No.: 1-5024-6

Recommended when extracting hot gases, fumes, light dust concentrations etc.

Material

Metal Hood: Chromated Aluminium (TCP)
 Flange: Conductive Polypropylene (PP)
 Connection tube¹⁾: Chromated Aluminium (TCP)

1) Separately enclosed at delivery



Dome Hood (Diam. 385 mm)

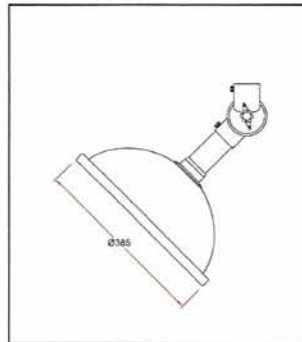
Part No.: 1-5035-6

Recommended for light fumes, gases and small open vessels. Increased stability due to reinforced rim of the hood. Increased efficiency at an angled position.

Material

Hood: Conductive Polypropylene (PP)
 Flange: Conductive Polypropylene (PP)
 Connection tube¹⁾: Chromated Aluminium (TCP)

1) Separately enclosed at delivery



Flat Hood (330 x 240 mm)

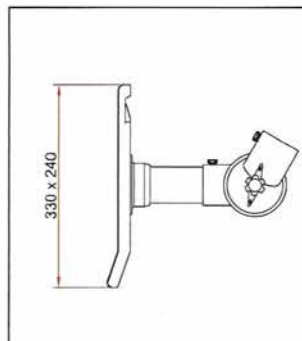
Part No.: 1-503324-6

Recommended when extracting heavy gases and fumes. High efficiency when placed vertically on a surface e.g. a table. Practical rim for easy positioning of the hood. Gets close to the source without obstructing the work process.

Material

Hood: Conductive Polypropylene (PP)
 Flange: Conductive Polypropylene (PP)
 Connection tube¹⁾: Chromated Aluminium (TCP)

1) Separately enclosed at delivery



Protective Grill (for hoods)

Part No.: 5-16-6

Protective Grill for mounting in hood.
 Prevents extraction of foreign materials.

Material: Conductive Polypropylene (PP)
 Colour: Black

