

Accessories Overview

SYSTEM 25

SYSTEM 50

SYSTEM 63 CR

SYSTEM 75

SYSTEM 100

Suction pen

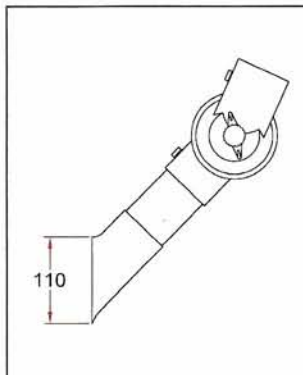
Part No.: 1-6325-7-5

Recommended for small concentrated sources of pollution. Efficient as it gets close to the source without obstructing the work process. This Suction pen is suited for chemical aggressive environments.

Material

Tube: Polypropylene (PP)

Tip: Polypropylene (PP)



Square Hood (300 x 250 mm)

Part No.: 1-632422-5

Recommended for both light and heavy fumes, gases and for open vessels, as this hood is suited for horizontal position above and vertical position behind the source of pollution. Good efficiency when placed vertically on a surface e.g. a table. This hood is not suited for chemical aggressive environments. In this case see articles 1-6335-7-5 or 1-633324-7-5.

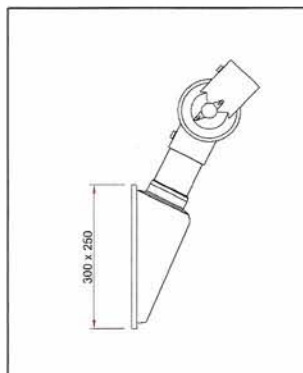
Material

Hood: PETG

Flange: Polypropylene (PP)

Connection tube: Polypropylene (PP)

1) Separately enclosed at delivery



Dome Hood (Ø280 mm)

Part No.: 1-6328-5

Recommended for light fumes, gases and small open vessels. The transparent hood assists in keeping a good view of the workpiece. This hood is not suited for chemical aggressive environments. In this case see articles 1-633324-7-5 or 1-6335-7-5.

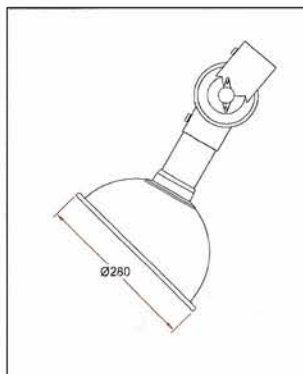
Material

Hood: PETG

Flange: Polypropylene (PP)

Connection tube: Polypropylene (PP)

1) Separately enclosed at delivery



Accessories Overview

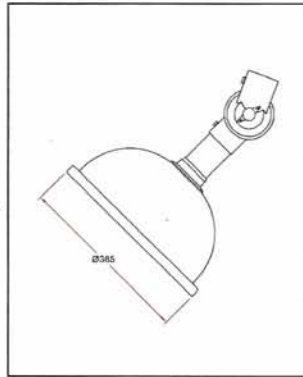
Dome Hood (diam. 385 mm) Part No.: 1-6335-5

Recommended for light fumes, gases and open vessels. The transparent hood assists in keeping a good view of the workpiece. This hood is not suited for chemical aggressive environments. In this case see articles 1-6335-7-5 or 1-633324-7-5.

Material

- Hood: PETG
- Flange: Polypropylene (PP)
- Connection tube¹: Polypropylene (PP)

1) Separately enclosed at delivery



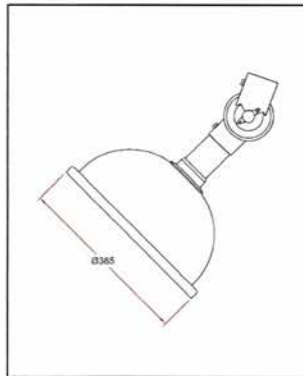
Dome Hood (dia. 385 mm) Part No.: 1-6335-7-5

Recommended for light fumes, gases and open vessels. This hood is suited for chemical aggressive environments.

Material

- Hood: Polypropylene (PP)
- Flange: Polypropylene (PP)
- Connection tube¹: Polypropylene (PP)

1) Separately enclosed at delivery



For Flat Hoods see next page.

Accessories Overview

SYSTEM 25

Flat Hood (330 x 240 mm)

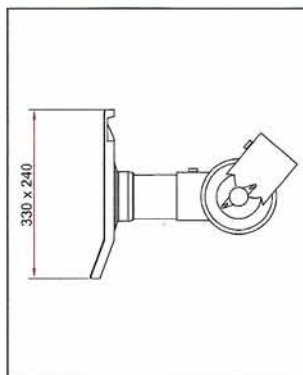
Part No.: 1-633324-5

Recommended when extracting heavy gases and fumes. High efficiency when placed vertically on a surface e.g. a table. Gets close to the source without obstructing the work process. This hood is not suited for chemical aggressive environments. In this case see article 1-633324-7-5.

Material

Hood: PETG
 Flange: Polypropylene (PP)
 Connection tube: Polypropylene (PP)

1) Separately enclosed at delivery



SYSTEM 50

Flat Hood (330 x 240 mm)

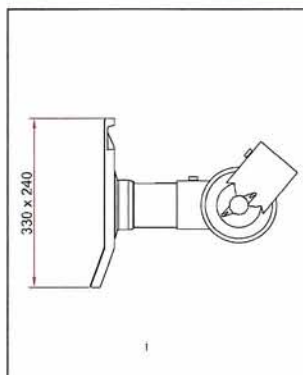
Part No.: 1-633324-7-5

Recommended when extracting heavy gases and fumes. High efficiency when placed vertically on a surface e.g. a table. Gets close to the source without obstructing the work process. This hood is suited for chemical aggressive environments.

Material

Hood: Polypropylene (PP)
 Flange: Polypropylene (PP)
 Connection tube: Polypropylene (PP)

1) Separately enclosed at delivery



SYSTEM 63 CR

SYSTEM 75

SYSTEM 100