

Accessories Overview



SYSTEM 25

SYSTEM 50

SYSTEM 63

SYSTEM 75 AL

SYSTEM 100

Metal Hood (diam. 200 mm)

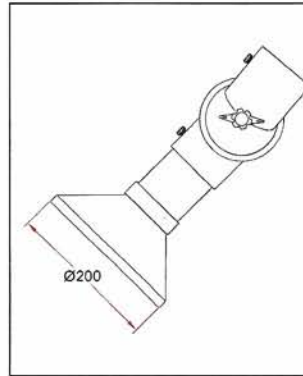
Part No.: 1-7524-4 /-5

Recommended when extracting hot gases, fumes, light dust concentrations etc. The powder coated surface improves the durability of the hood.

Material

Metal hood: Aluminium (powder coated)
Flange: Polypropylene (PP)
Connection to tube: Aluminium (anodized – 10 µ)

| Part No. | Red | White |
|----------|-----|-------|
| 1-7524 | -4 | -5 |



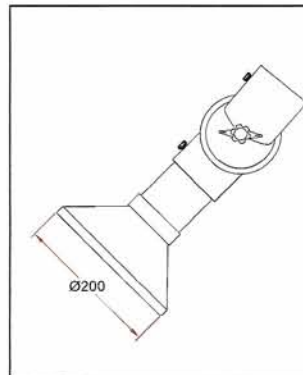
Metal Hood (diam. 200 mm)

Part No.: 1-7524

Recommended when extracting hot gases, fumes, light dust concentrations etc.
Suitable for autoclaving.

Material

Hood: Aluminium (anodized – 10 µ)
Flange: Aluminium (anodized – 10 µ)
Connection to tube: Aluminium (anodized – 10 µ)



Suction Nozzle – width 200 mm

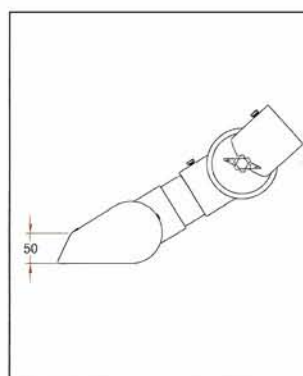
Part No.: 1-7525-4 /-5

Recommended for concentrated sources of pollution. Efficient as it gets close to the source without obstructing the work process. Often used at soldering processes. Internal diffuser to increase efficiency.

Material

Suction Nozzle: Aluminium (anodized – 10 µ) and Polypropylene (PP)
Flange: Polypropylene (PP)
Connection to tube: Aluminium (anodized – 10 µ)

| Part No. | Red | White |
|----------|-----|-------|
| 1-7525 | -4 | -5 |



Accessories Overview



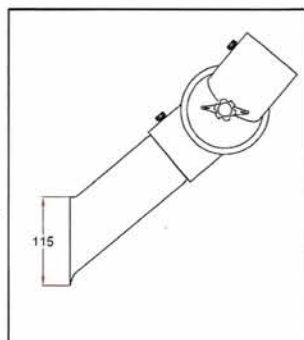
Suction pen – Aluminium

Part No.: 1-7525

Recommended for small concentrated sources of pollution. Efficient as it gets close to the source without obstructing the work process.
Carefully made funnel increases the extraction efficiency.

Material

Tube: Aluminium (anodized – 10 µ)



Suction pen – Alu + Polypropylene (PP)

Part No.: 1-7526-4 /-5

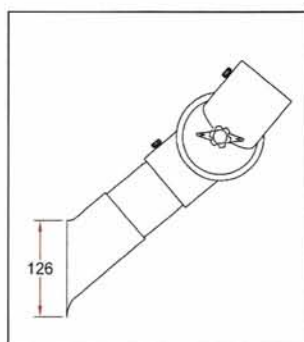
Recommended for small concentrated sources of pollution. Efficient as it gets close to the source without obstructing the work process.
Tip with funnel of Polypropylene increases the extraction efficiency.

Material

Tube: Aluminium (anodized – 10 µ)

Tip: Polypropylene (PP)

| Part No. | Red | White |
|----------|-----|-------|
| 1-7526 | -4 | -5 |



Dome Hood (diam. 280 mm)

Part No.: 1-7528-4 /-5

Recommended for light fumes, gases and small open vessels. The transparent hood assists in keeping a good view of the workpiece. Increased stability due to reinforced rim of the hood. Increased efficiency at an angled position.

Material

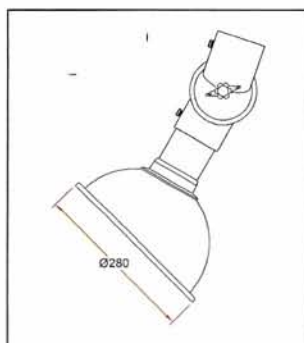
Hood: PETG

Flange: Polypropylene (PP)

Connection tube¹⁾: Aluminium (anodized – 10 µ)

1) Separately enclosed on delivery

| Part No. | Red | White |
|----------|-----|-------|
| 1-7528 | -4 | -5 |



Dome Hood (diam. 385 mm)

Part No.: 1-7535-4 /-5

Recommended for light fumes, gases and small open vessels. The transparent hood assists in stability due to reinforced rim of the hood. Increased efficiency at an angled position.

Material

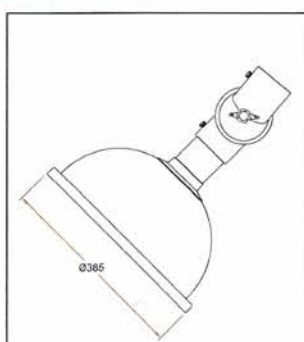
Hood: PETG

Flange: Polypropylene (PP)

Connection tube¹⁾: Aluminium (anodized – 10 µ)

1) Separately enclosed at delivery

| Part No. | Red | White |
|----------|-----|-------|
| 1-7535 | -4 | -5 |



Accessories Overview

Flat Hood (330 x 240 mm)

Part No.: 1-753324-4 /-5

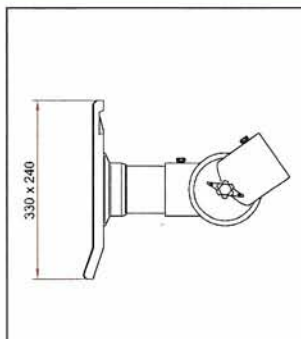
Recommended when extracting heavy gases and fumes. High efficiency when placed vertically on a surface e.g. a table. Practical rim for easy positioning of the hood. Gets close to the source without obstructing the work process.

Material

Hood: PETG
Flange: Polypropylene (PP)
Connection tube¹⁾: Aluminium (anodized – 10 µ)

| Part No. | Red | White |
|----------|-----|-------|
| 1-753324 | -4 | -5 |

1) Separately enclosed at delivery



Square Hood (420 x 320 mm)

Part No.: 1-754232-4 /-5

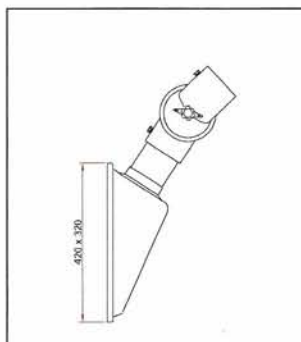
Recommended for both light and heavy fumes, gases and for open vessels, as this hood is suited for horizontal position above and vertical position behind the source of pollution. Good efficiency when placed vertically on a surface e.g. a table. Increased stability due to reinforced rim of the hood. The transparent hood assists in keeping a good view of the workpiece.

Material

Hood: PETG
Flange: Polypropylene (PP)
Connection tube¹⁾: Aluminium (anodized – 10 µ)

| Part No. | Red | White |
|----------|-----|-------|
| 1-754232 | -4 | -5 |

1) Separately enclosed at delivery



Protective Grill (for hoods)

Part No.: 5-17

Protective Grill for mounting in hood. Prevents extraction of foreign materials.

Material: Polypropylene (PP)
Colour: White



Special Stop for Gas Spring

Part No.: 7-100-1

Can be mounted on models with an external gas spring. Prevents the extraction arm from touching a suspended ceiling when folded up. The stop for gas spring can be retrofitted and placed individually on the gas spring.

