

Accessories Overview



SYSTEM 25

SYSTEM 50

SYSTEM 63

SYSTEM 75 AS

SYSTEM 100

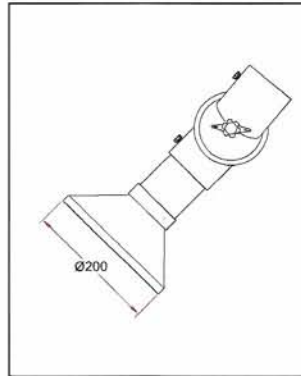
Metal Hood (Diam. 200 mm)

Part No.: 1-7524-6

Metal hood made of chromated aluminium. Recommended when extracting hot gases, fumes, light dust concentrations etc.

Material

Metal hood: Aluminium (TCP)
Flange: Conductive polypropylene (PP)
Connection tube: Conductive polypropylene (PP)



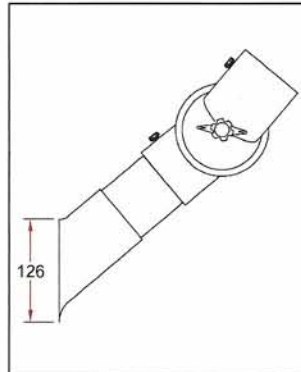
Suction pen (250 mm)

Part No.: 1-7525-6

Recommended for small concentrated sources of pollution. Efficient as it gets close to the source without obstructing the work process. Tip with funnel increases the extraction efficiency.

Material

Tube: Conductive polypropylene (PP)
Tip: Conductive polypropylene (PP)



Dome Hood (Diam. 385 mm)

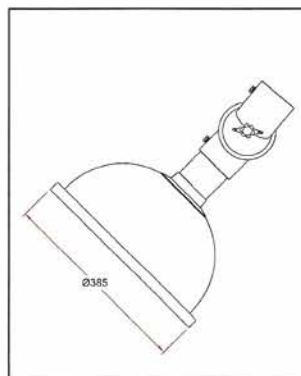
Part No.: 1-7535-6

Recommended for light fumes, gases and small open vessels. Increased stability due to reinforced rim of the hood. Increased efficiency at an angled position.

Material

Hood: Conductive polypropylene (PP)
Flange: Conductive polypropylene (PP)
Connection tube*: Conductive polypropylene (PP)

*) Separately enclosed at delivery



Accessories Overview

Flat Hood (330 x 240 mm)

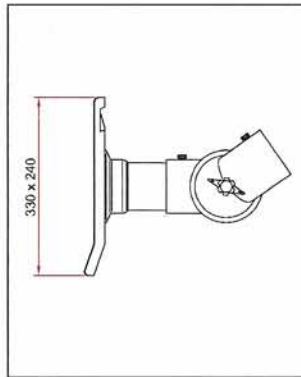
Part No.: 1-753324-6

Recommended when extracting heavy gases and fumes. High efficiency when placed vertically on a surface e.g. a table. Practical rim for easy positioning of the hood. Gets close to the source without obstructing the work process.

Material

Hood: Conductive polypropylene (PP)
Flange: Conductive polypropylene (PP)
Connection tube*: Conductive polypropylene (PP)

*) Separately enclosed at delivery



Protective Grill (for hoods)

Part No.: 5-17-6

Protective Grill for mounting in hood.
Prevents extraction of foreign materials.

Material: Conductive Polypropylene (PP)
Colour: Black



Special Stop for Gas Spring

Part No.: 7-100-1

Can be mounted on models with an external gas spring.
Prevents the extraction arm from touching a suspended ceiling when folded up. The stop for gas spring can be retrofitted and placed individually on the gas spring.

