



# Accessories Overview

## Suction pen (250 mm)

Part No.: 1-7525-7-4 /-5

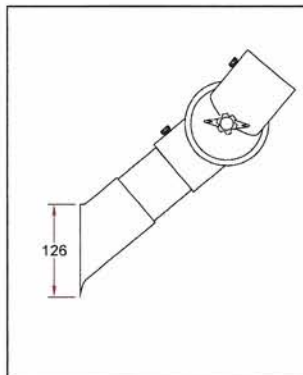
Recommended for small concentrated sources of pollution. Efficient as it gets close to the source without obstructing the work process. Tip with funnel increases the extraction efficiency.

### Material

Tube: Polypropylene (PP), white

Tip: Polypropylene (PP), red or white

Part No.	Red tip	White tip
1-7525	-4	-5



## Dome Hood (diam. 385 mm)

Part No.: 1-7535-7-4 /-5

Recommended for light fumes, gases and small open vessels. Increased stability due to reinforced rim of the hood. Increased efficiency at an angled position.

### Material

Hood<sup>2</sup>: Polypropylene (PP), white

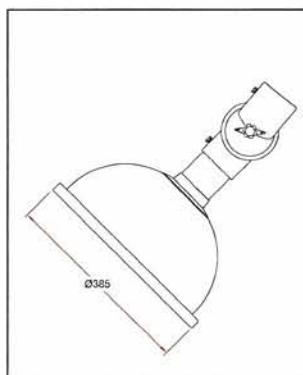
Flange: Polypropylene (PP), red or white

Connection tube<sup>1</sup>: Polypropylene (PP), white

1) Separately enclosed at delivery

2) Also available in clear PETG on request

Part No.	Flange, red	Flange, white
1-7535-7	-4	-5



## Flat Hood (330 x 240 mm)

Part No.: 1-753324-7-4 /-5

Recommended when extracting heavy gases and fumes. High efficiency when placed vertically on a surface e.g. a table. Practical rim for easy positioning of the hood. Gets close to the source without obstructing the work process.

### Material

Hood<sup>2</sup>: Polypropylene (PP), white

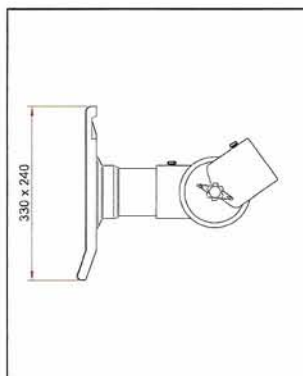
Flange: Polypropylene (PP), red or white

Connection tube<sup>1</sup>: Polypropylene (PP), white

1) Separately enclosed at delivery

2) Available in clear PETG on request

Part No.	Flange, red	Flange, white
1-753324-7	-4	-5



# Accessories Overview



## Square Hood (420 x 320 mm)

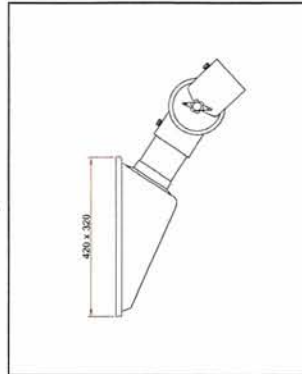
Part No.: 1-754232-7-4 /-5

Recommended for both light and heavy fumes, gases and for open vessels, as this hood is suited for horizontal position above and vertical position behind the source of pollution. Good efficiency when placed vertically on a surface e.g. a table. Increased stability due to reinforced rim of the hood.

**Material**

Hood<sup>2</sup>: Polypropylene (PP), white  
 Flange: Polypropylene (PP), red or white  
 Connection tube<sup>1</sup>: Polypropylene (PP), white

1) Separately enclosed at delivery  
 2) Also available in clear PETG on request



Part No.	Flange, red	Flange, white
1-754232-7	-4	-5

## Dome Hood (diam.200 mm)

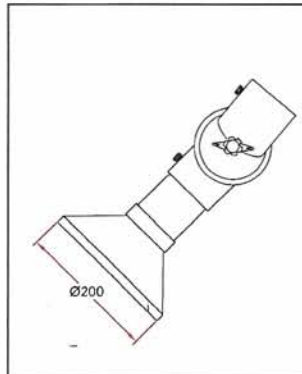
Part No.: 1-7524-7-4 /-5

Recommended for light fumes, gases, and open vessels.

**Material**

Hood: Aluminium, powder coated white or red  
 Flange: Polypropylene (PP), white or red  
 Connection tube: Polypropylene (PP), white

Part No.	Hood, red	Hood, white
1-7524-7	-4	-5



## Protective Grill (for hoods)

Part No.: 5-17-7

Protective Grill for mounting in hood.  
 Prevents extraction of foreign materials.

Material: Polypropylene (PP)  
 Colour: White



## Special Stop for Gas Spring

Part No.: 7-100-1

Can be mounted on models with an external gas spring.  
 Prevents the extraction arm from touching a suspended ceiling when folded up. The stop for gas spring can be retrofitted and placed individually on the gas spring.

