



## System 50 Flex - Antistatic (Flex AS)

### Extraction arms

<a href="#">Table mounting 50-1-23-6</a> .....	Flex AS 2
<a href="#">Table mounting 50-21-1-23-6</a> .....	Flex AS 3
<a href="#">Table mounting 50-3721-1-23-6</a> .....	Flex AS 4

### Brackets

<a href="#">Table bracket 2-5010-050</a> .....	Flex AS 5
<a href="#">U-profile 30-50-5</a> .....	Flex AS 6

### Accessories

<a href="#">Reducer 4-6350-6</a> .....	Flex AS 7
<a href="#">Reducer 4-8050-6</a> .....	Flex AS 8



## System 50 Flex - Antistatic (Flex AS)

All components RoHS-compatible According to directive 2002/95/EC (RoHS)

### Design - Extraction arm for mounting on table:

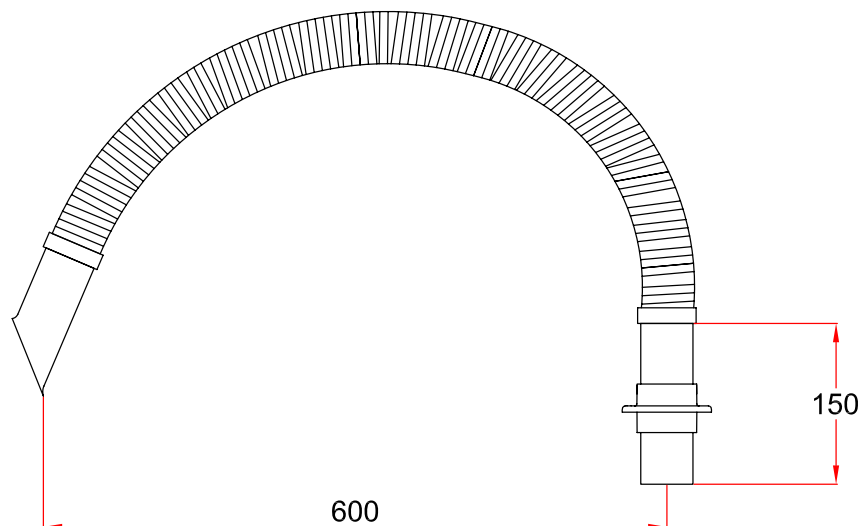
- Working range 600 mm
- Recommended airflow 45 to 85 m<sup>3</sup>/h
- Diameter of tube: Ø50 mm
- Tubes and extractor tube made of chromated (TCP) Aluminium - surface 10 µ - in combination with a conductive flexible hose to assure permanent conductivity
- Increased options of positioning due to the flexible hose
- With funnel of the extractor tube in order to increase the capture efficiency
- Approved for ESD-areas according to IEC 61340-5-1
- The extraction arms are equipped with an earth wire with a resistance of 1MΩ



Links: [Pressure drop chart](#), [Mounting](#), [User's manual](#), [Capture efficiency](#), [Test reports](#) [Suction pen](#)

## Working area

Units in mm





## System 50 Flex - Antistatic (Flex AS)

All components RoHS-compatible According to directive 2002/95/EC (RoHS)

### Design - extraction arm for mounting on table:

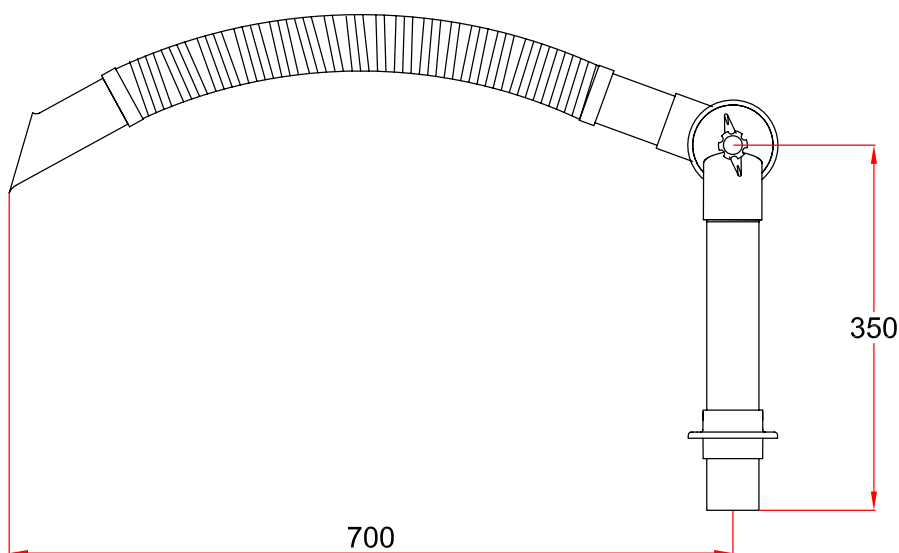
- Working range 700 mm
- Recommended airflow 45 to 85 m<sup>3</sup>/h
- Diameter of tube: Ø50 mm
- Tubes and extractor tube made of chromated (TCP) Aluminium - surface 10 µ - in combination with a conductive flexible hose to assure permanent conductivity
- Increased options of positioning due to the flexible hose
- Joints made of shatterproof and conductive polypropylene (PP)
- With funnel of the extractor tube in order to increase the capture efficiency
- All O-rings maintenance free
- Integrated valve. When in an open position out of the flow path to maintain the maximum amount of flow
- All threaded stays, springs and thumbscrews made of acid-proof stainless steel (AISI 316L)
- Approved for ESD-areas according to IEC 61340-5-1
- The extraction arms are equipped with an earth wire with a resistance of 1MΩ
- Dismantling of the arm without tools for cleaning



Links: [Pressure drop chart](#), [Mounting](#), [User's manual](#), [Capture efficiency](#), [Test reports](#) [Suction pen](#)

## Working area

Units in mm





## System 50 Flex - Antistatic (Flex AS)

All components RoHS-compatible According to directive 2002/95/EC (RoHS)

### Design - extraction arm for mounting on table:

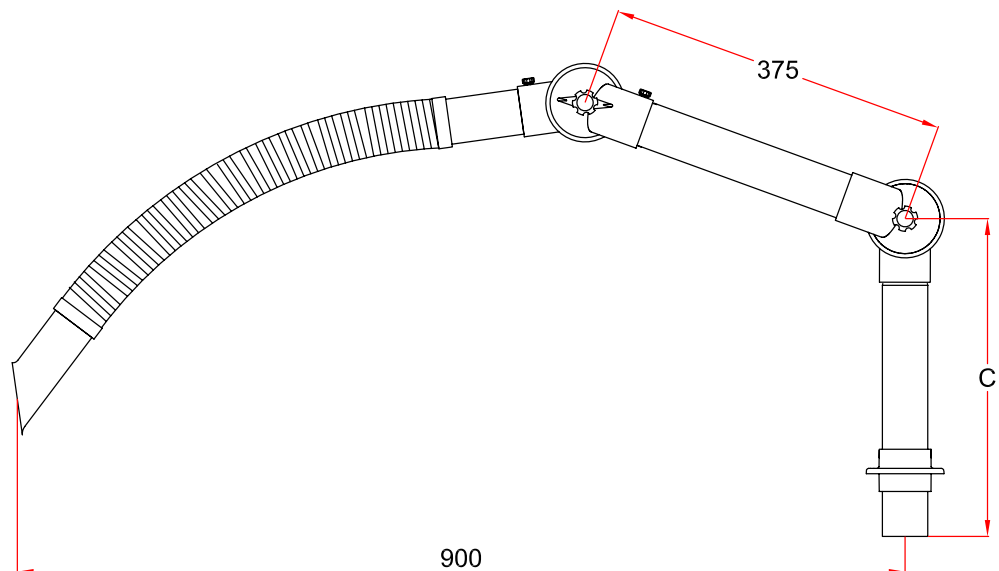
- Working range 900 mm
- Recommended airflow 45 to 85 m<sup>3</sup>/h
- Diameter of tube: Ø50 mm
- Tubes and extractor tube made of chromated (TCP) Aluminium - surface 10 µ - in combination with a conductive flexible hose to assure permanent conductivity
- Increased options of positioning due to the flexible hose
- Joints made of conductive shatterproof, chemical resistant polypropylene (PP)
- With funnel of the extractor tube in order to increase the capture efficiency
- All O-rings maintenance free
- Integrated valve. When in an open position out of the flow path to maintain the maximum amount of flow
- All threaded stays, springs and thumbscrews made of acid-proof stainless steel (AISI 316L)
- Approved for ESD-areas according to IEC 61340-5-1
- The extraction arms are equipped with an earth wire with a resistance of 1MΩ
- Dismantling of the arm without tools for cleaning



Links: [Pressure drop chart](#), [Mounting](#), [User's manual](#), [Capture efficiency](#), [Test reports](#) [Suction pen](#)

## Working area

Units in mm



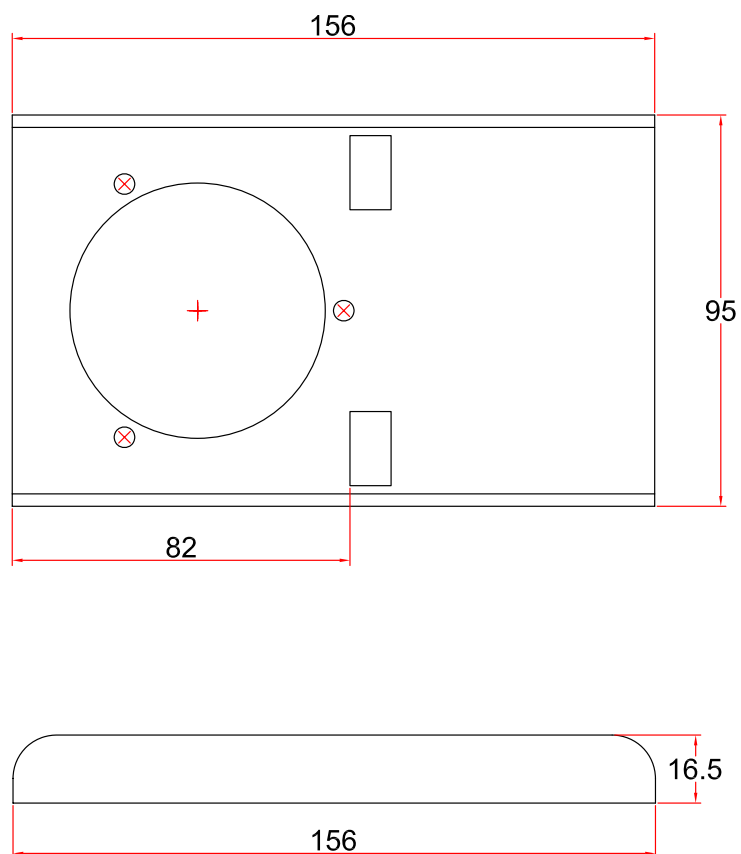


## System 50 Flex - Antistatic (Flex AS)

- Table bracket to mount extraction arms for table mounting at the edge of the table
- Easily removable without tools for mobile installations
- Made of steel with a polyester powder-coating on all surfaces
- Colours available: white (-) and black (-050)



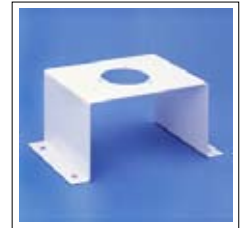
## Drawing



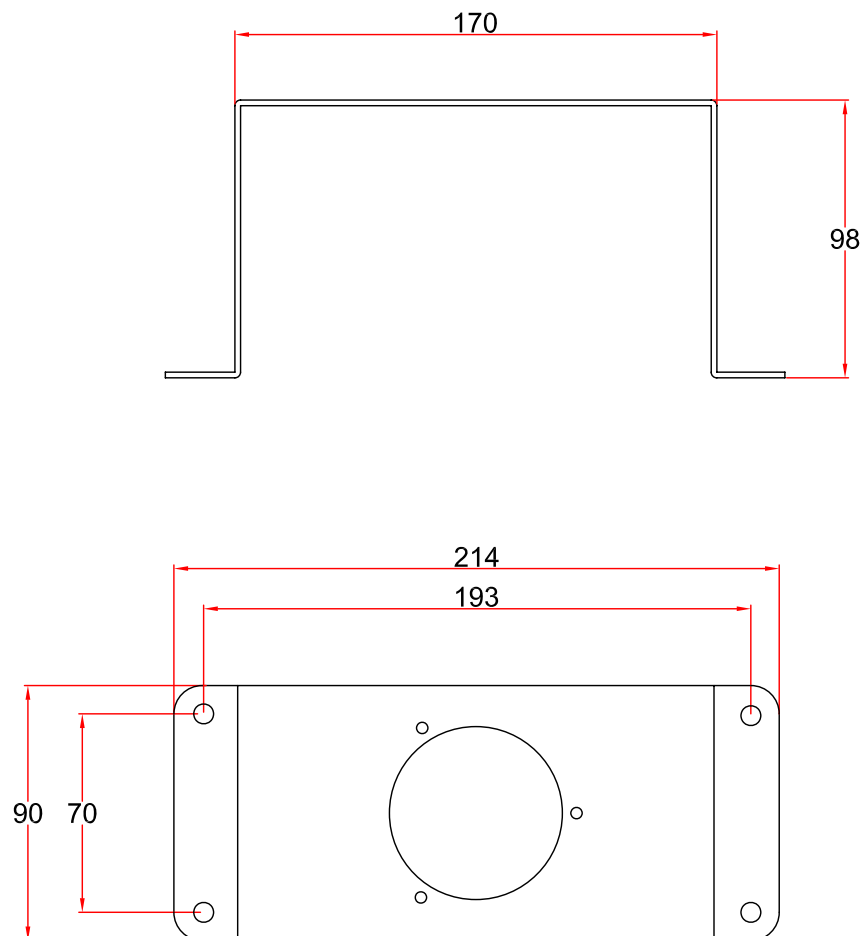


## System 50 Flex - Antistatic (Flex AS)

- Bracket/U-profile to support the socket pipe of long extraction arms for table mounting
- Made of steel with a polyester powder-coating on all surfaces
- Colour: white



## Drawing



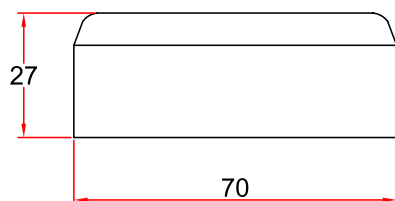


## System 50 Flex - Antistatic (Flex AS)

- Reducer to connect extraction arm and ventilating duct
- Reduces from  $\text{Ø}63$  -  $\text{Ø}50$
- Made of conductive polypropylene (PP)
- Colour: black



## Drawing





## System 50 Flex - Antistatic (Flex AS)

- Reducer to connect extraction arm and ventilating duct
- Reduces from Ø80 - Ø50
- Made of conductive polypropylene (PP)
- Colour: black



## Drawing

